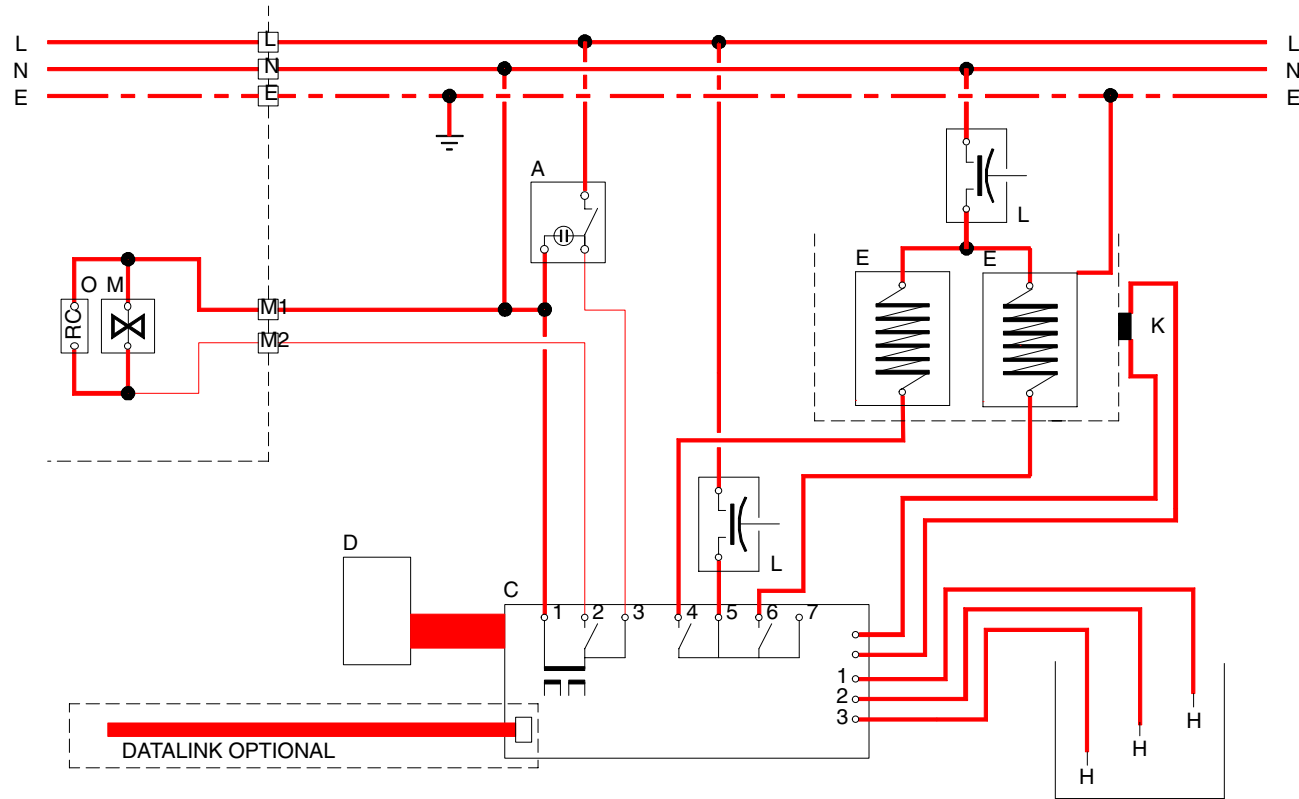


## RLX module 3/7



**700.406.608A**

- A. Switch
- C. Print
- D. Keyboard
- E. Element
- H. Electrode
- K. Temperature sensor
- L. High temperature safety
- M. Magnetic valve
- O. RC